

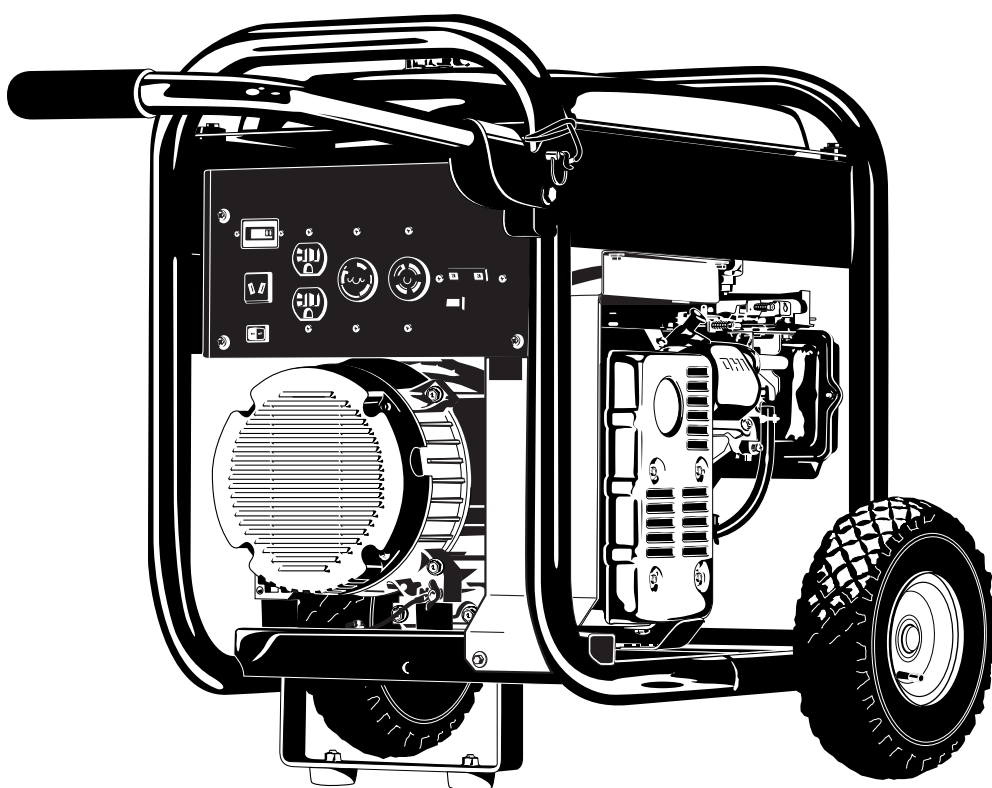


PORTABLE GENERATOR GÉNÉRATEUR PORTATIF GENERADOR PORTÁTIL

Model may vary slightly
from that shown

Model / Modèle / Modelo

**PRO4000
01932**



Illustrated Parts List

Questions? Help is just a
moment away!

Call: Generator Helpline -
1-800-743-4115 M-F 8-5 CT

Les Parties illustrées Enumèrent

Vous avez des questions?
Vous n'avez pas besoin d'aller loin
pour trouver de l'aide!

Appelez: Ligne d'assistance de
Générateur - 1-800-743-4115
M-F 8-5 CT

Las Partes ilustradas Listan

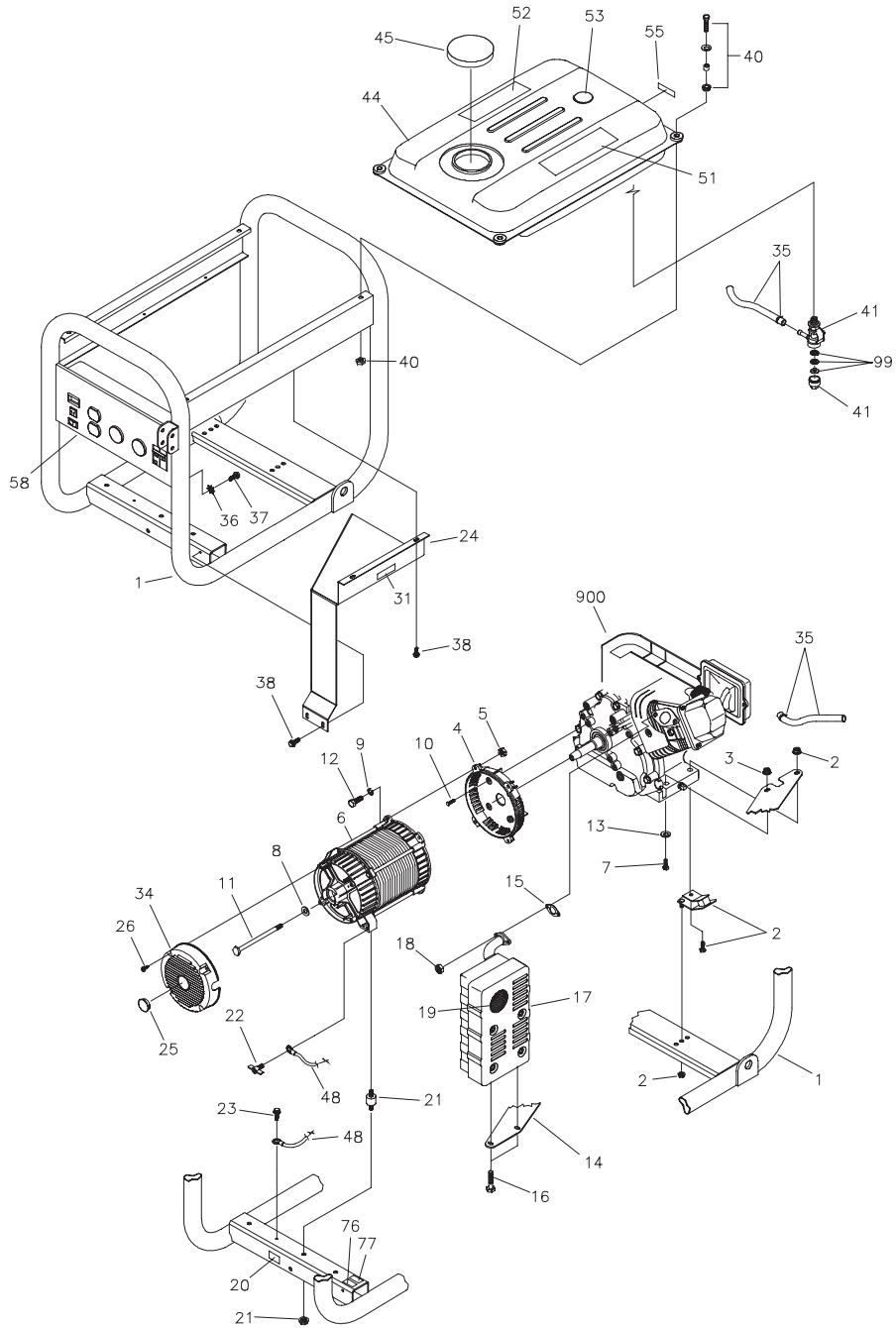
Preguntas? La ayuda es justa un
momento lejos!

Llamada: Generador Helpline -
1-800-743-4115 M-F 8-5 CT

**BRIGGS & STRATTON POWER PRODUCTS GROUP, LLC
JEFFERSON, WISCONSIN, U.S.A.**

Manual No. 195541A
Revision B (07/06/2006)

EXPLODED VIEW - MAIN UNIT



Copyright © 2006 Briggs & Stratton Power Products Group, LLC. All rights reserved. No part of this material may be reproduced or transmitted in any form by any means without the express written permission of Briggs & Stratton Power Products Group, LLC.

PARTS LIST - MAIN UNIT

Item	Part #	Description	Item	Part #	Description
1	B192658GS	CRADLE	41	193272GS	VALVE, Tank
2	194150GS	KIT, Mount, Vibration, 45°	44	195988GS	ASSY, Tank, Fuel (Includes Items 41, 51, 52 & 53)
3	67989GS	NUT, M8 Flange Serrated	45	189135GS	CAP, Fuel, Vented
4	190220GS	HOUSING, Engine Adapter	48	195373GS	WIRE, Ground
5	*	NUT, Hex M8 - 1.25	51	194984GS	DECAL, Danger
6	NSP	ASSY, Alternator (see page 4)	52	94480GS	DECAL, Start Instructions
7	*	TPHMS, M8 - 1.25 x 25	53	189136GS	GAUGE, Fuel
8	96796GS	WASHER, M8 Flat	55	197797GS	DECAL, Fuel Shutoff
9	*	WASHER, M8 5/16 Lock	58	195512GS	ASSY, Control Panel (see page 5)
10	190274DGS	SCREW, 3/8-16 x 7/8	76	195459GS	DECAL, Neutral Ground
11	53122GS	HHCS, 5/16-24 x 6-1/2	77	195940GS	DECAL, Ground French
12	*	HHCS, M8 1.25 x 25	99	189759GS	KIT, Fuel Repair Valve
13	*	WASHER, 5/16 Flat	900	§	ENGINE
14	193021GS	BRACKET, Muffler			
15	710082	GASKET, Exhaust			
16	*	HHCS, M6 - 1.0 x 12			
17	192898GS	MUFFLER			
18	710090	NUT			
19	83083GS	SCREEN, Spark Arrest			
20	B4986GS	DECAL, Ground			
21	194153GS	KIT, Vibration Mount			
22	86494GS	SCREW, Wing M6 1.0 x 16			
23	86292GS	SCREW, 10-16 x 3/4, Self Drill			
24	J193053GS	SHIELD, Heat			
25	191190GS	CAP			
26	74908GS	TAPTITE, M5-0.8 x 10			
31	191436GS	DECAL, Caution Hot Muffler			
34	195422GS	COVER, RBC, Plastic with Cap			
35	791745	KIT, Fuel Hose (cut to fit)			
36	*	WASHER, M6 - 1/4 Int. Shakeproof			
37	B2153GS	SCREW, #10 Self Drilling			
38	192376GS	SCREW, 12-24 x 1/2 THD Forming			
40	194212GS	KIT, Fuel Tank Hardware			

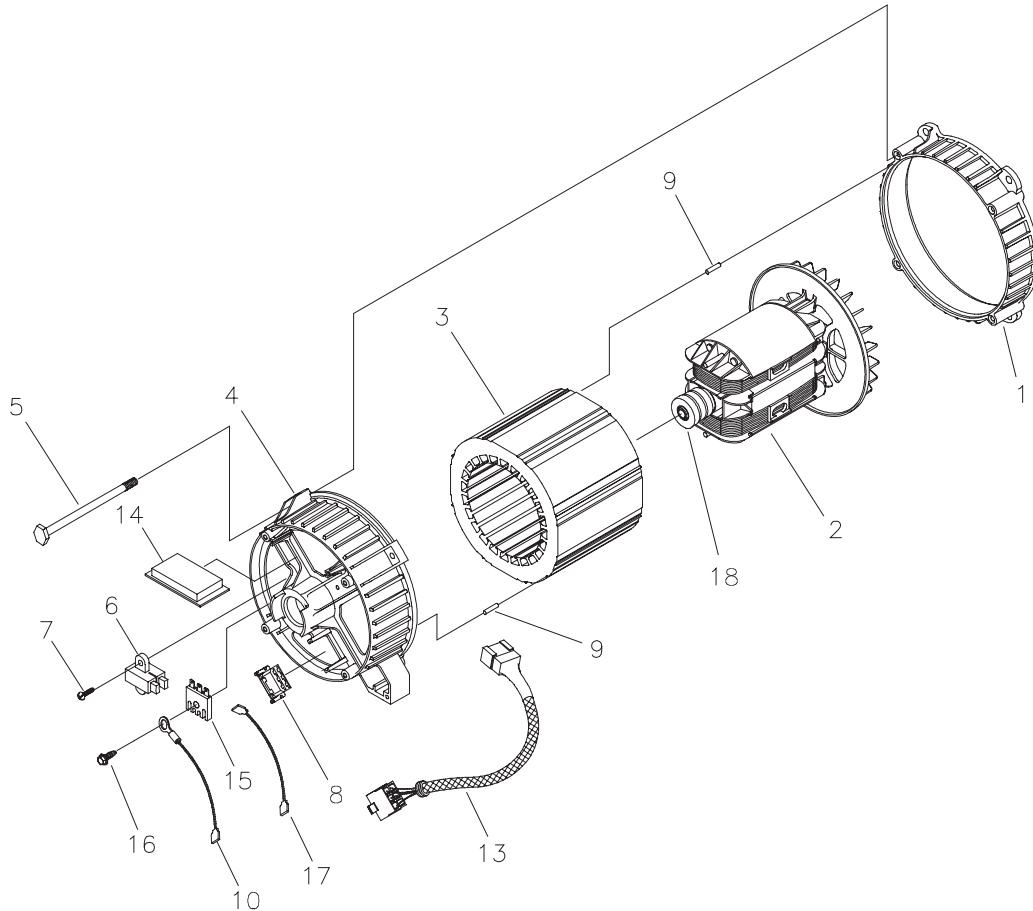
Parts Not Illustrated		
43483GS	PLUG, 250V 20A, 4 Prong	
100523GS	PLUG, 125V 30A, 3 Prong	
65787GS	CABLE, Battery Charge	
BB3061GS	OIL BOTTLE	
MS6669	MANUAL, Engine	
195541GS	MANUAL, Operator's	
199383GS	DECAL, Family CA, EVP	
193642GS	KIT, Decals Service	

Optional Accessories		
100031	STABILIZER, Fuel	

* - Items without part numbers are common fasteners and are available at local hardware stores.

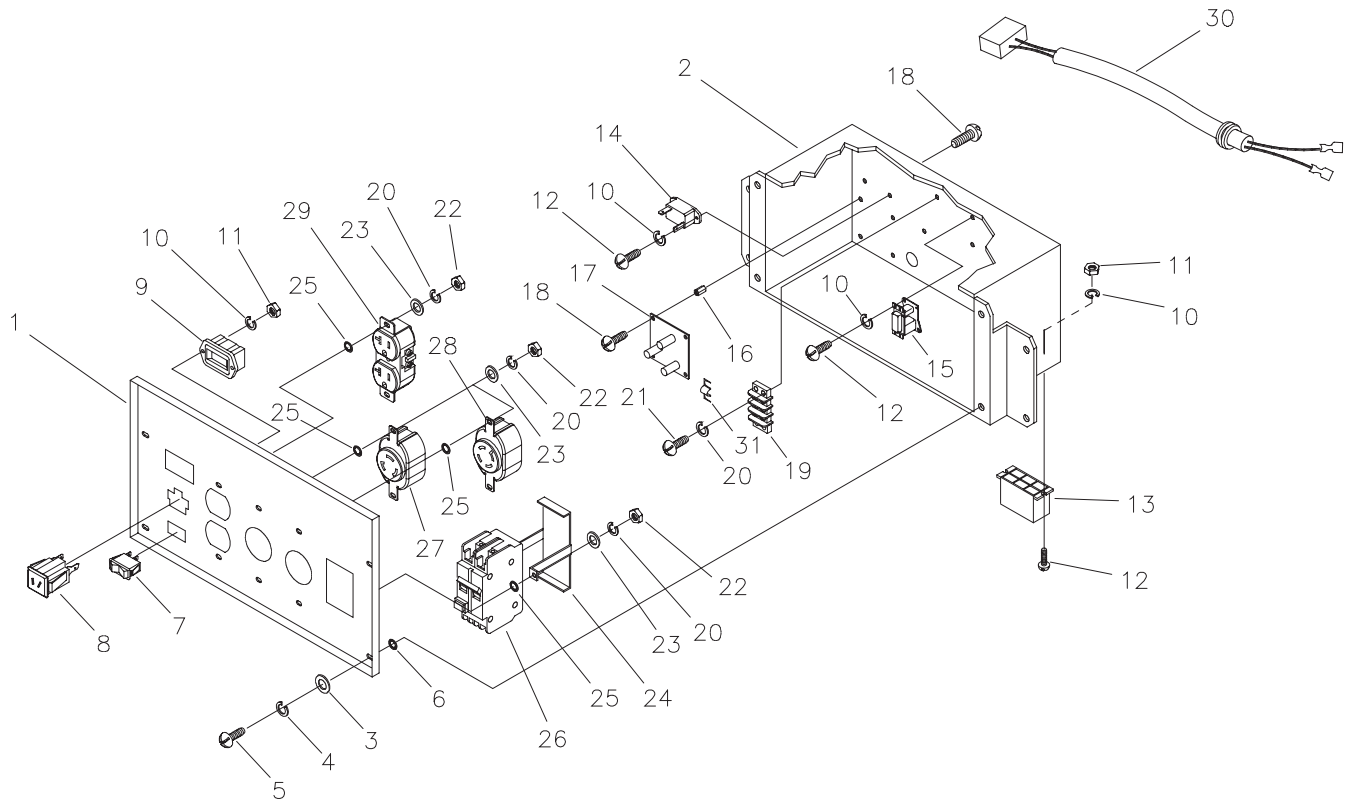
§ - Contact engine manufacturer.

EXPLODED VIEW AND PARTS LIST - ALTERNATOR



Item	Part #	Description
1	186059GS	ADAPTER, Mounting, Alternator
2	193034GS	ROTOR (Includes Item #18)
3	193035AGS	STATOR
4	186060GS	RBC, with O-Ring (p/n 189197GS)
5	86308GS	HHCS, M6 - 1.0 x 115 SEMS
6	66386GS	ASSY, Holder, Brush
7	66849GS	TAPTITE, M5 - 0.8 x 16
8	22694GS	RECEPTACLE, 6 pin
9	81917GS	PIN, Roll, 4mm x 10
10	193428AGS	ASSY, Wire, Ground
13	193157GS	HARNESS, Wire, Power
14	189769GS	REGULATOR
15	65795GS	RECTIFIER
16	66849AGS	TAPTITE, M5 - 0.8 x 20
17	192403XGS	WIRE, Ground
18	65791GS	BEARING

EXPLODED VIEW AND PARTS LIST - CONTROL PANEL

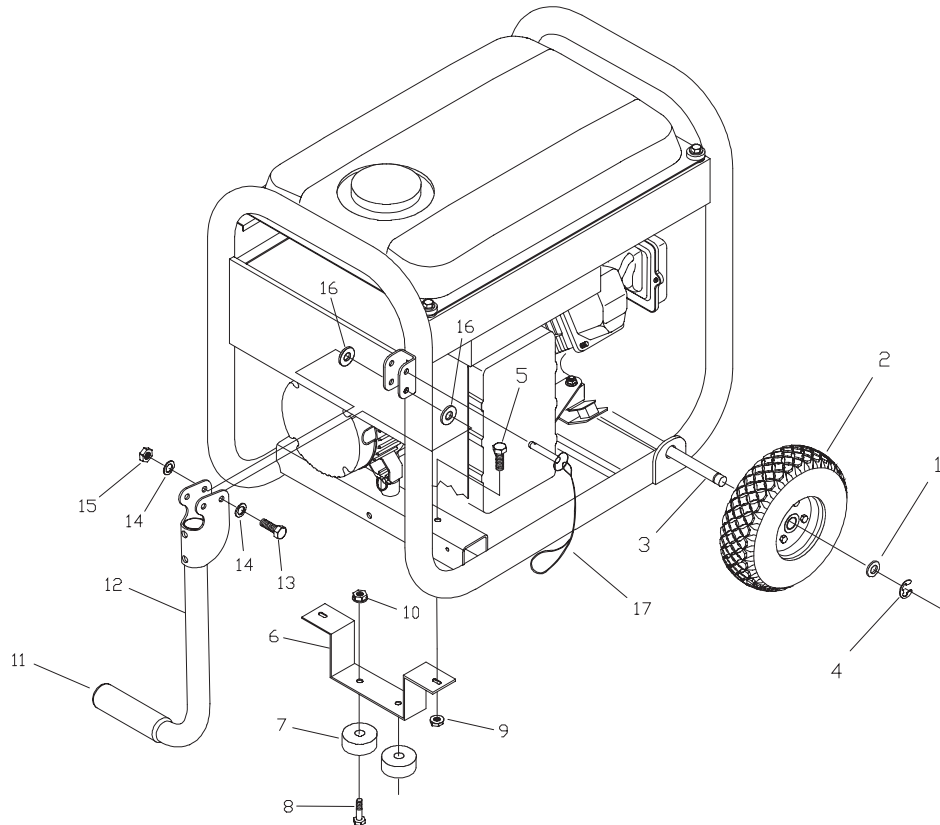


Item	Part #	Description
1	NSP	PANEL, Control
2	B192835GS	BOX, Control Panel
3	*	WASHER, Flat, #10 - M5
4	*	WASHER, Lock, M5
5	*	PPHMS, M5 - 0.8 x 12
6	*	WASHER, M6 - 1/4, Int. Shakeproof
7	82538GS	SWITCH, Rocker
8	90418GS	OUTLET, 12VDC, Snap
9	77604GS	METER, Hour
10	*	WASHER, Lock, M3
11	*	NUT, M3 - 0.5
12	*	PHMS, M3 - 0.5 x 10
13	22694GS	HOUSING, Receptacle
14	87962GS	BREAKER, Circuit, 12V, 10A
15	84028GS	TRANSFORMER, Idle Cnt
16	64525GS	STANDOFF, Hex
17	193362GS	PCB, Idle Control

Item	Part #	Description
18	*	PHTS, #6-32 x 3/8
19	B5052GS	STRIP, Terminal
20	*	WASHER, Lock, M4
21	*	PPHMS, M4 - 0.7 x 16
22	*	NUT, M4 - 0.7
23	*	WASHER, Flat, M4
24	192931GS	BRACKET, GFCI Breaker
25	*	WASHER, Shakeproof, Int. #8
26	192828BGS	BREAKER, Circuit, GFCI, 20A
27	68868GS	OUTLET, 120V, 30A
28	68867GS	OUTLET, 120/240V, 20A
29	68759GS	OUTLET, 120V, 20A, Duplex
30	193036GS	HARNESS, Wire
31	46669GS	JUMPER, Terminal Block

* - Items without part numbers are common fasteners and are available at local hardware stores.

EXPLODED VIEW AND PARTS LIST - WHEEL KIT



Item	Part #	Description
1	*	WASHER, 5/8
2	B4966GS	WHEEL
3	191267PGS	AXLE, 5/8" x 22.20"
4	191265GS	E-RING, 5/8
5	*	HHCS, M8 1.25 x 20
6	B89595GS	BRACKET, Support
7	87841GS	VIBE MOUNT
8	*	HHCS, 1/4 - 20 x 3/4
9	67989GS	NUT, M8 Flange Serrated
10	194005GS	NUT, 1/4 - 20 Flange Nylok
11	192477GS	GRIP
12	B193166GS	ASSY, Handle (Includes Item 11)
13	*	HHCS, M8 - 1.25 x 50
14	*	WASHER, Flat 5/16 - M8
15	*	NUT, M8 - 1.25
16	*	WASHER, 1.2 x .346 x .03 Nylon
17	B4135GS	PIN, Handle Release

* - Items without part numbers are common fasteners and are available at local hardware stores.